

The Core Family

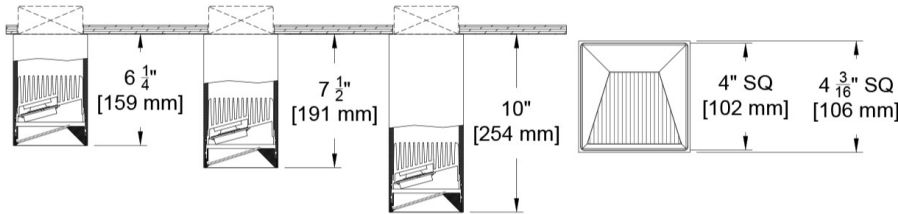
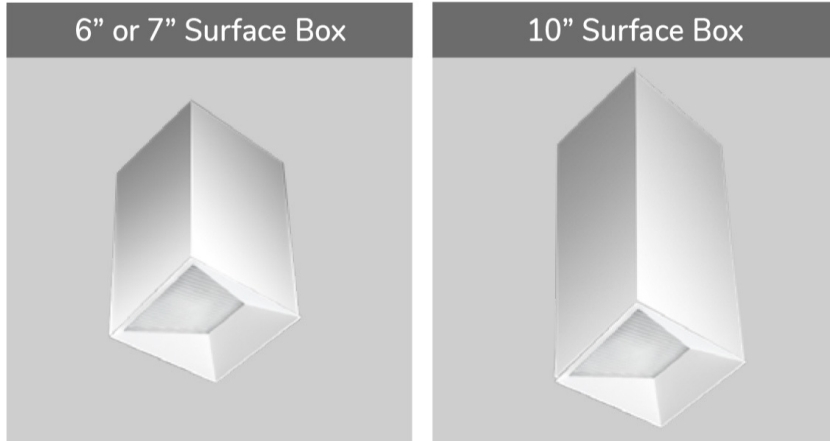
Welcome to the Core surface/pendant mounted square wall wash. With the popularity of open ceilings, we believe a wall wash option is important. Offering 3 different housing lengths, 3 mounting types and 14 paint finish options, the wall wash provides a 3.7:1 illumination ratio from top to bottom of the wall. This fixture deploys the same optical system as the Core recessed wall wash and offers most of the same source and driver options of the other Core fixtures to allow mixing of recessed and surface as necessary.

PROJECT:

TYPE:

SPECIFIER:

DATE:



Key Points (CR4CWW-SF)

Housing

- 3 height selections - 6", 7.5" and 10"
- 3 mounting options - Surface, Jbox or Stem/Pendant
- JBox mounting allows conduit pass through
- 14 color options + custom RAL available
- Precision die formed, heavy gauge aluminum

Source / Optics

- Up to 832 delivered lumens
- <2 MacAdam Steps (<2SDCM) for fixed white
- 90 CRI , 60+ R9 Standard- 95 CRI 90+R9 Optional with Ambient Dim
- 2700, 3000, 3500, 4000K, Ambient Dim standard. Tunable White, RGBW available upon request
- Lifetime: L87B3>55,000 hours at 40°C Ambient

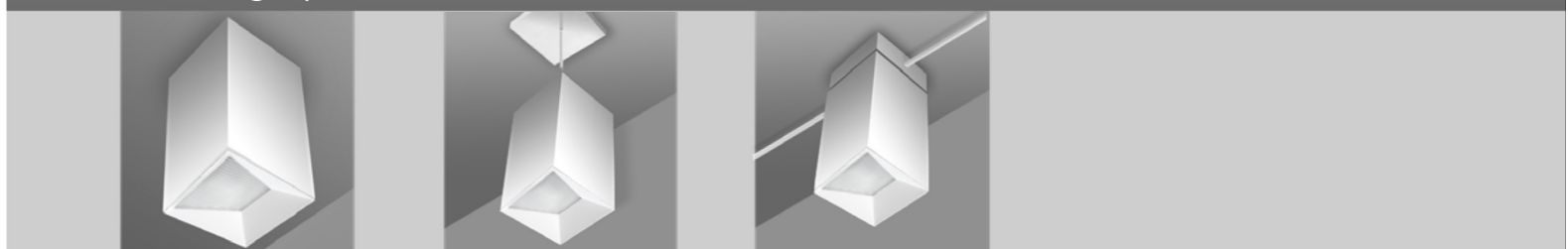
Driver

- Universal 120-277v
- Prewired and integral to housing in some configurations
- Flicker free to IEEE 1789-2015
- Phase, 0-10, DALI, Ecosystem or Wireless Control

Labels

- Us Listed – Damp location
- Compliant to JA8 with C14 source selection

Mounting Options



6" | 7" | 10" Wall Wash (WW)
Surface Mount

6" | 7" | 10" Wall Wash (WW)
Pendant Mount

6" | 7" | 10" Wall Wash (WW)
Junction Box w/Pass Through

SQUARE WW (CR4WW-SF) Beamspreads		35.6°		ISO CD Plot	CCT Multiplier	
Source	System watts (W)	Delivered Lumens (lm)	Lumens/ Watt			
Citizen C14	14	679	49		2700	.95
Citizen C20	21	832	40		3000	1.00
Ambient Dim A14	15	461	31		4000	1.03

Values are delivered lumens at 3000k. Data based on recessed wall wash (CR4D-SF) where the same optical system is deployed. Height of light emission surface must be compensated for in calculation software based on mounting and cylinder length selected

Ordering Codes

PROJECT:

SPECIFIER:

DATE:

TYPE:

QUANTITY:

Ordering Code Example: CR4CWW-SF-JB-B-7-C14-30-C1-P14

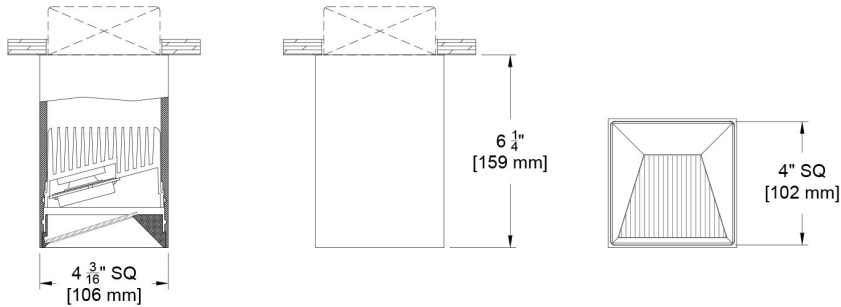
FIXTURE	MOUNTING	LENGTH	HEIGHT	SOURCE / WATTS	CCT	DRIVER / CONTROL	HOUSING FINISH	ACCESSORIES
CR4CWW-SF								
Core 4" Square Cylinder Wall Wash	<p>SM Surface Mount*</p> <p>JB J Box mount^</p> <p>STM Canopy Stem/Pendant mount*</p> <p>*Recessed Jbox supplied by others ^Surface Jbox cover crafted, finished and supplied by Specialty</p>	<p>B Blank - use for surface or jbox mount</p> <p>- Stem Length - Specify in inches or mm</p>	<p>6 6" housing height*</p> <p>7 7.5" housing height^</p> <p>10 10" housing height^</p> <p>*Remote driver required ^Integral driver for C1, C2 and LP - others remote</p>	<p>Citizen</p> <p>C14 14W 679Lm** 90+CRI, 60+R9</p> <p>C20 21W 832Lm** 90+CRI, 60+R9</p> <p>Ambient Dim</p> <p>A14 15W 461Lm 95+CRI, 90+R9 3000 to 1900K</p> <p>Tunable White 90+CRI, 70+R9 1800-4000K or 2700-6500K^</p> <p>RGBW 90+CRI, 60+R9 ^</p> <p> California Title 24 Compliant to JA8 ^ Available upon request. Contact your regional sales manager</p>	<p>27 2700K</p> <p>30 3000K</p> <p>35 3500K</p> <p>40 4000K</p> <p>AD 3000-1900K</p>	<p>C1 0-10 1.0%, UNV (120-277V) linear</p> <p>C2 ELV/Triac 1.0%, (120V) linear</p> <p>EldoLED</p> <p>E1 0-10 0.1%, UNV (120-277V) log</p> <p>E2 DALI-2 0.1%, UNV (120-277V) log</p> <p>E3 0-10 0.1%, UNV (120-277V) linear</p> <p>Lutron</p> <p>LD Digital Ecosystem 1.0%, UNV (120-277V) ECO Hi-Lume SoftOn/Fade-to-Black LDE1</p> <p>LP Digital Ecosystem 0.1%, UNV (120-277V) ECO Premier Hi-Lume SoftOn/Fade-to-Black, PEQ0, 20W max</p>	<p>W White Paint</p> <p>B Black Paint</p> <p>PXX Specialty Paint Color*</p> <p>C Custom/RAL*</p> <p>*See Specialty Finish Guide</p>	<p>EM Emergency Pack</p> <p>Controls</p> <p>LR Lutron Wireless RF PowPak</p> <p>ATH Lutron Athena Wireless Node <i>Must be used with E2 driver</i></p> <p>CA Casambi Wireless BLE to be paired with driver</p>

Ceiling Cutouts and Dimensions

6" Fixed Box Wall Wash

Surface Mount (SM)

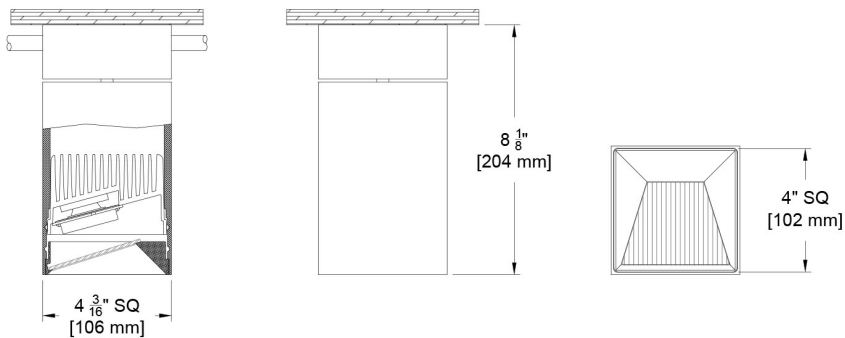
(CR4C-SF-WW-SM-B-6)



6" Fixed Box Wall Wash

Junction Box (JB)

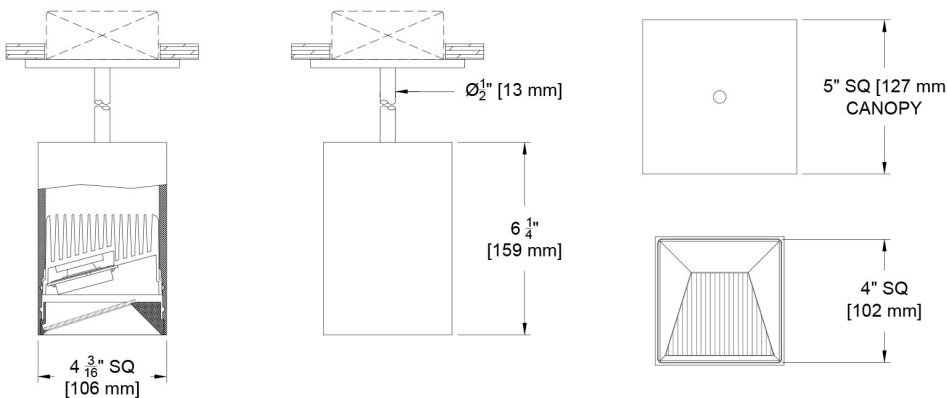
(CR4C-SF-WW-JB-B-6)



6" Fixed Box Wall Wash

Stem / Pendant Mount (STM)

(CR4C-SF-WW-STM-XX"-6)

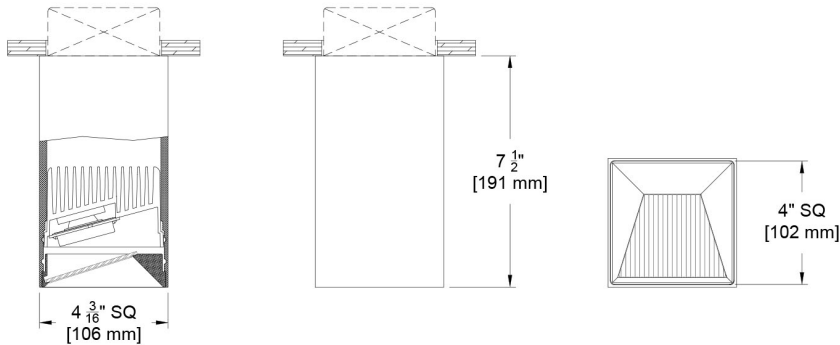


Ceiling Cutouts and Dimensions

7" Fixed Box Wall Wash

Surface Mount (SM)

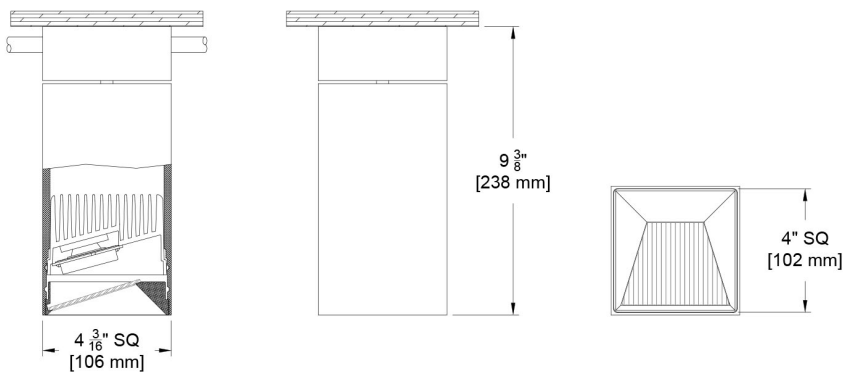
(CR4C-SF-WW-SM-B-7)



7" Fixed Box Wall Wash

Junction Box (JB)

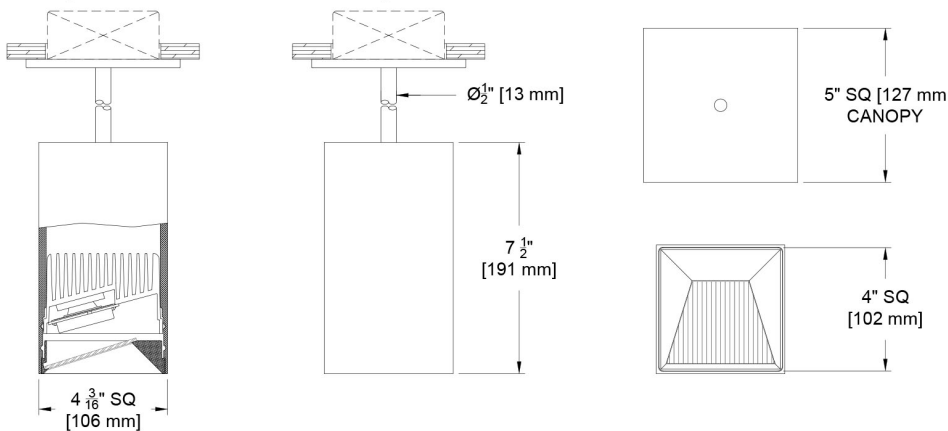
(CR4C-SF-WW-JB-B-7)



7" Fixed Box Wall Wash

Stem / Pendant Mount (STM)

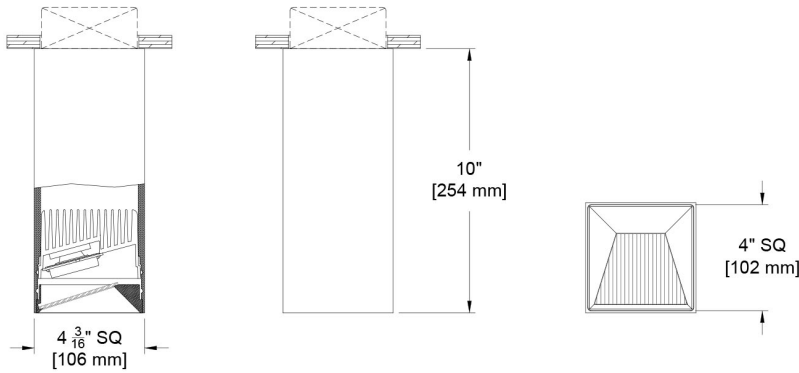
(CR4C-SF-WW-STM-XX"-7)



Ceiling Cutouts and Dimensions

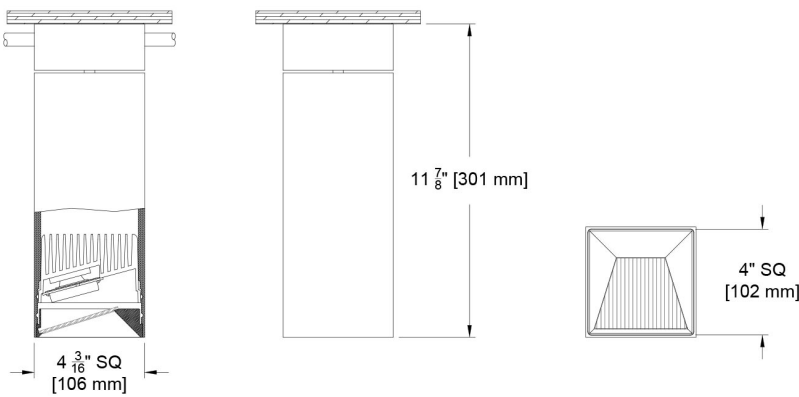
10" Fixed Box Wall Wash Surface Mount (SM)

(CR4C-SF-WW-SM-B-10)



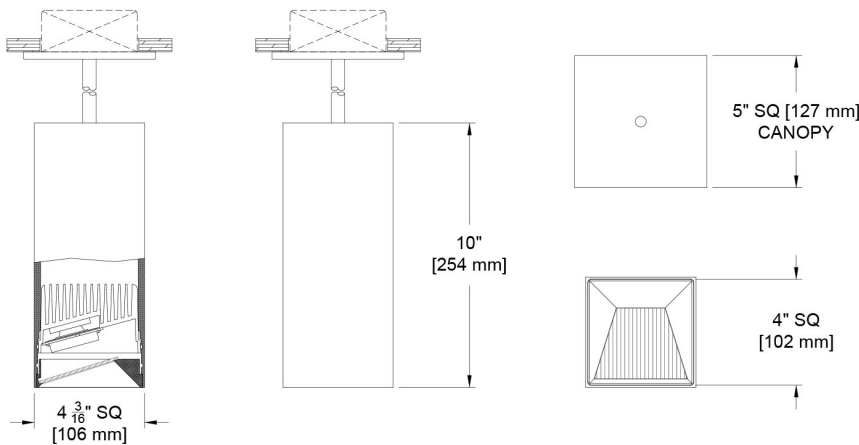
10" Fixed Box Wall Wash Junction Box (JB)

(CR4C-SF-WW-JB-B-10)



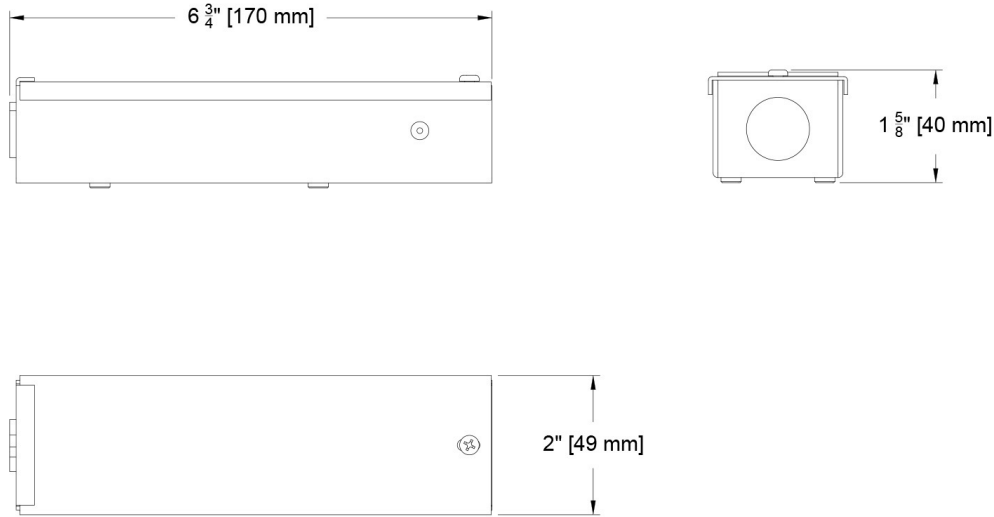
10" Fixed Box Wall Wash Stem / Pendant Mount (STM)

(CR4C-SF-WW-STM-XX"-10)

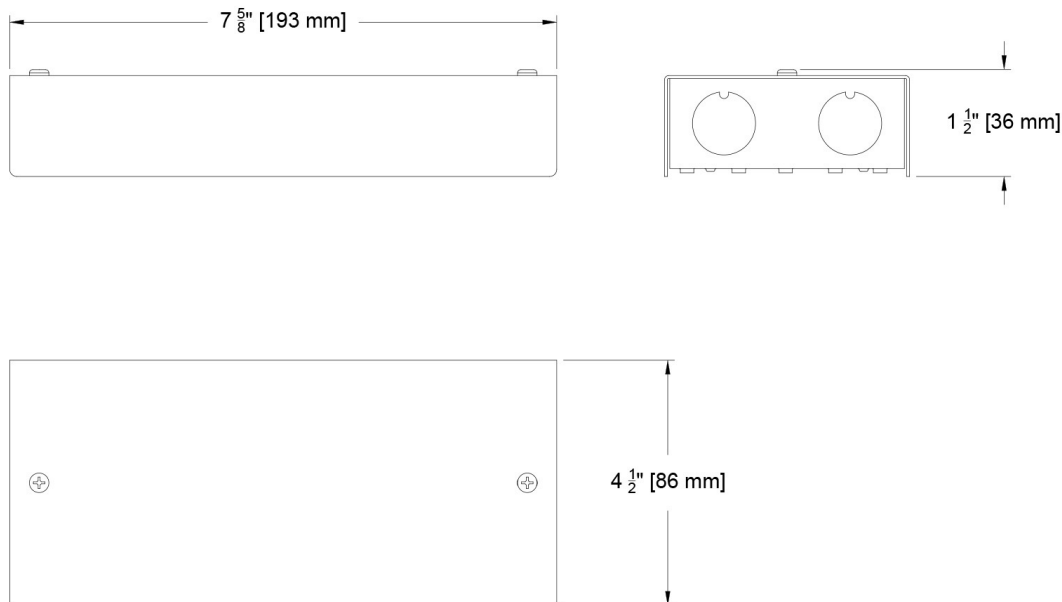


Ceiling Cutouts and Dimensions

Driver Enclosure for Remote Driver for C1, LTP



Driver Enclosure for Remote Driver for E1, E2, E3, E4, L3, LD



Photometric Table

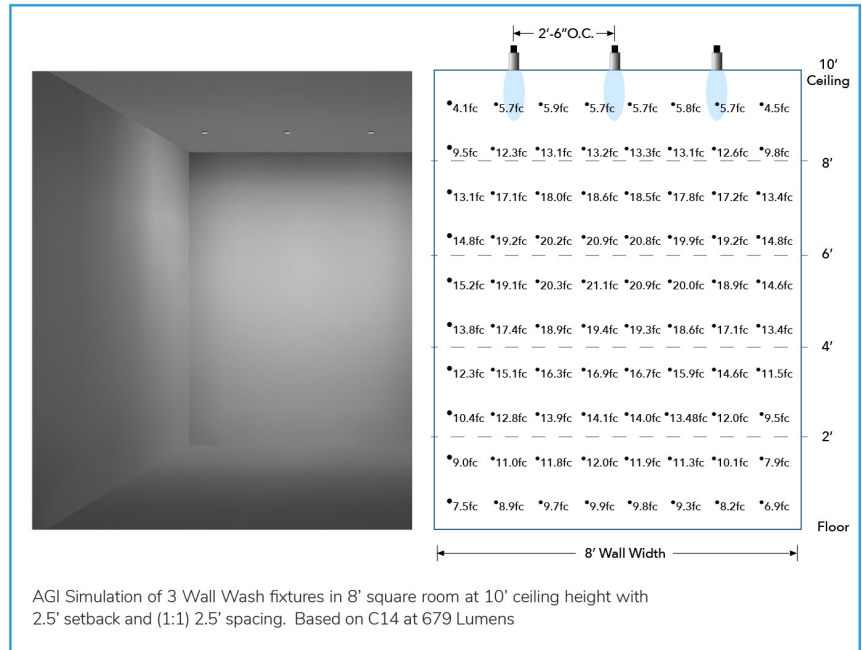
All data is from goniometer measurements of production representative product. All lumen values can vary +/- 10% from LED manufacturer rated flux range. Measurements at 3000 CCT. Ambient dim at full output. Photometrics are based on the recessed wall wash (CR4WW-SF). You will need to set the height of the IES file within your calculation based on the mounting method and length of product selected.

SQUARE Wall Wash (CR4WW-SF)			
Source	System watts (W)	Delivered Lumens (lm)	Lumens/ Watt
Citizen C14	14	679	49
Citizen C20	21	832	40
Ambient Dim A14	15	461	31

CCT Multiplier	
CCT	Citizen
2700	0.95
3000	1.00
3500	1.02
4000	1.03

35.6°

Measurements are delivered Lumens based on 3000k from recessed wall wash fixture (CR4WW-SF).

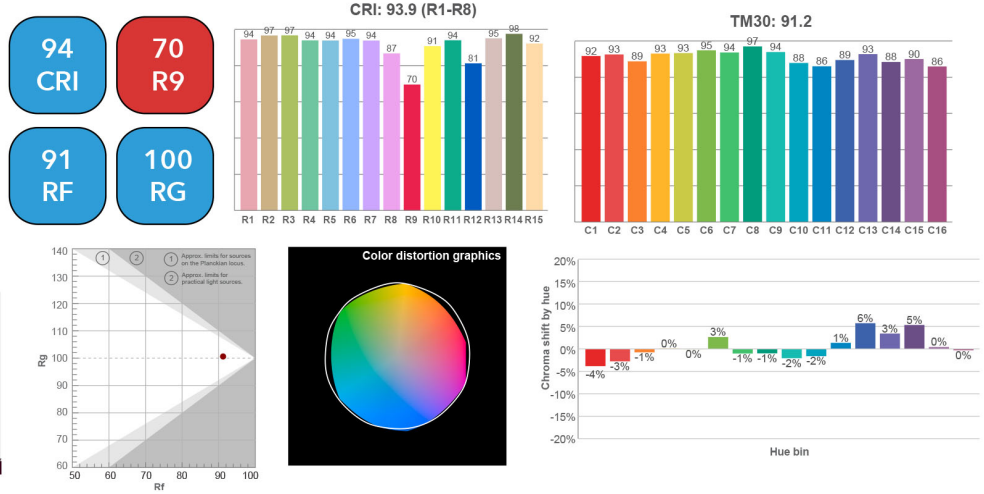


Color Data

All data is based from goniometer measurements of production representative product. All values can vary +/- 10% from LED manufacturer rated data range. Measurements at 3000 CCT unless otherwise noted

Citizen Sources - C14 and C20

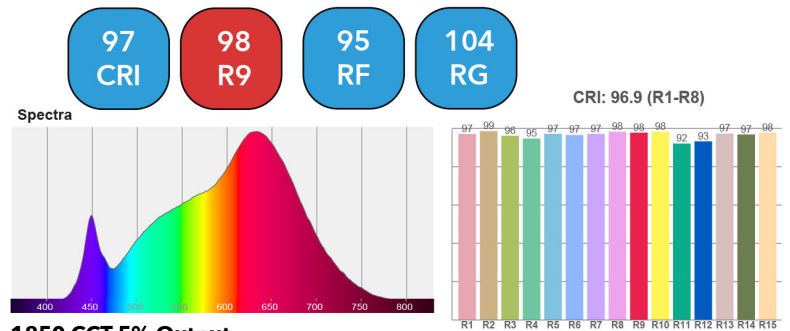
- <2 MacAdam Ellipse (<2 SDCM)
- 90+ CRI and RF
- 60+R9, Hue Bin 1



Ambient Dim - 3000k to 1900k

- <3 MacAdam Ellipse (<3 SDCM)
- 95+ CRI and RF
- 90+R9, Hue Bin 1
- Follows Black Body Locus through dimming range

3000 CCT Full Output



1850 CCT 5% Output

